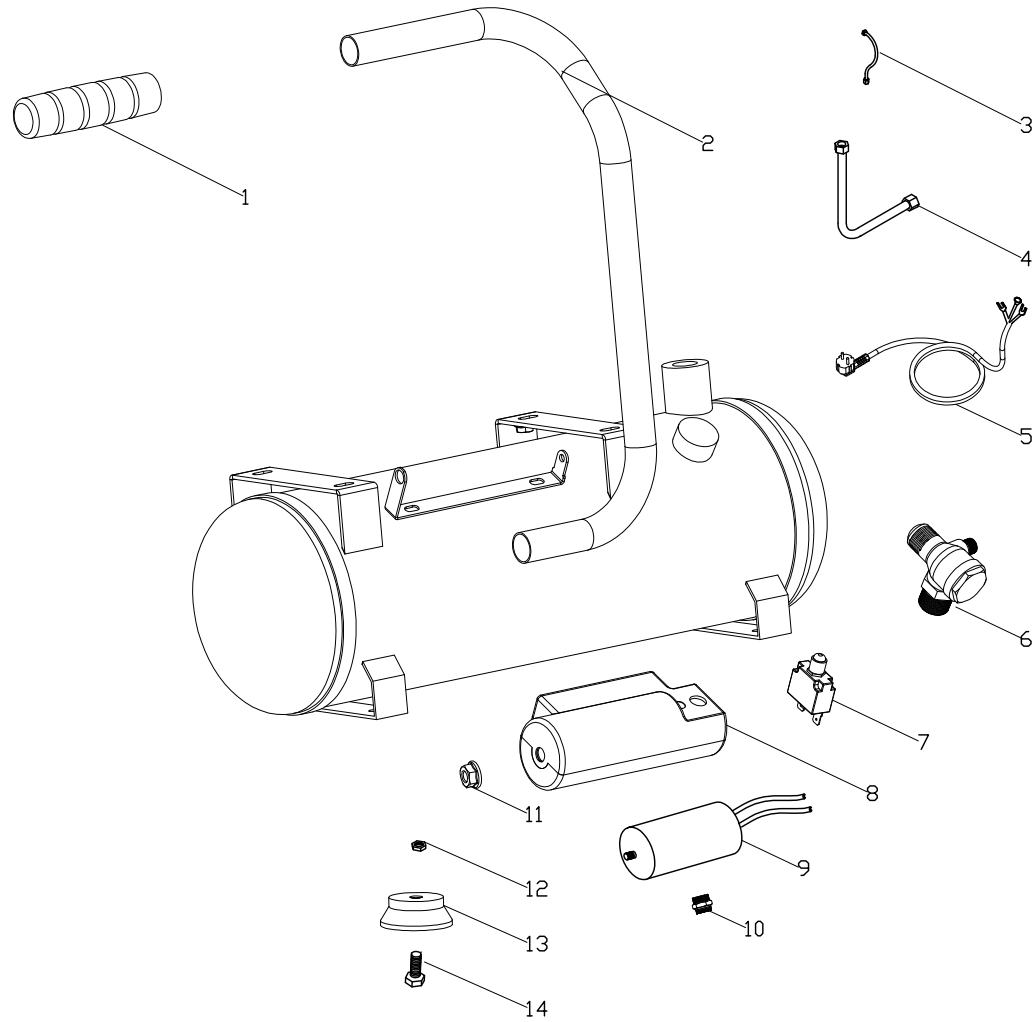
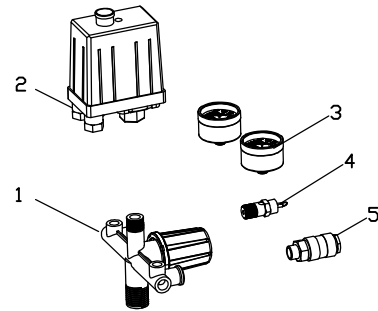


PartI AIR END/机头								
Ref.	English Name	规格名称	QTY		Ref.	English Name	规格名称	QTY
1	Fan cover	风罩	2		18	Valve plate	阀板	2
2	Left fan	左风叶	1		19	Valve	阀片	4
3	Left crankcase	左箱体	1		20	Fasten plate	压片	2
4	Connectiong rod	连杆	2		21	Right fan	右风叶	1
5	Piston ring	皮碗	2		22	Crankshaft	曲柄	2
6	Fasten plate	压板	2		23	Bearing 6006	轴承6006	2
7	Bolt M6*16	内六角沉头螺丝 M6*16	2		24	Bolt M8*6	内六角无头螺丝 M8*6	4
8	Cylinder	气缸	2		25	Right crankcase	右箱体	1
9	O ring for cylinder	气缸密封圈	2		26	Fasten ring for wire	线卡	1
10	O ring for cylinder cover	缸盖密封圈	2		27	External hexagonal screw	外六角螺丝	4
11	Cylinder cover	缸盖	2		28	Spring washer	弹垫	16
12	Bolt M5*25	法兰螺丝 M5*25	12		29	Stator	定子	1
13	Connect pipe	连接管	2		30	Rotor	转子	1
14	O ring for Connect pipe	连接管密封圈	2		31	Nut	螺母	4
15	Exhaust elbow	弯头	1		32	Bearing 6203	轴承6203	2
16	Bolt M4*8	半圆十字 M4*8	4		33	Muffler	消声器	1
17	Fasten part	限位块	2					



Ref.	English Name	QTY	Ref.	English Name	QTY
1	Jacket for handle	1	8	Housing for capacitor	1
2	Air tank	1	9	Capacitor	1
3	Unloading pipe $\Phi 6$	1	10	Drain cock	1
4	Exhaust pipe	1	11	Flange screw M8	1
5	Power cable	1	12	Flange screw M6	4
6	Check valve	1	13	Rubber feet	4
7	Protector	1	14	Bolt M6*14	4



Ref.	English Name	QTY	Ref.	English Name	QTY
1	Pressure regulator	1	4	Safety valve	1
2	Pressure switch	1	5	Quick coupling	1
3	Pressure gauge/Y40	2			